

D10W60



HIP-ZAC CLONE system

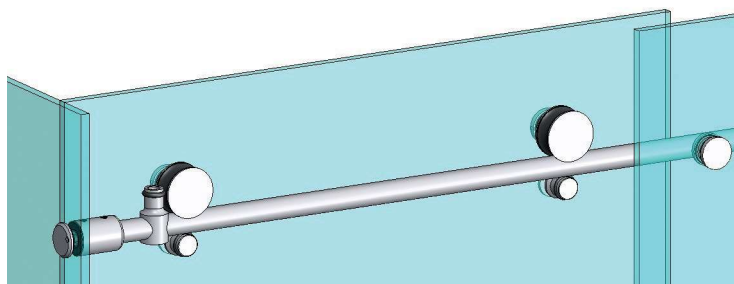
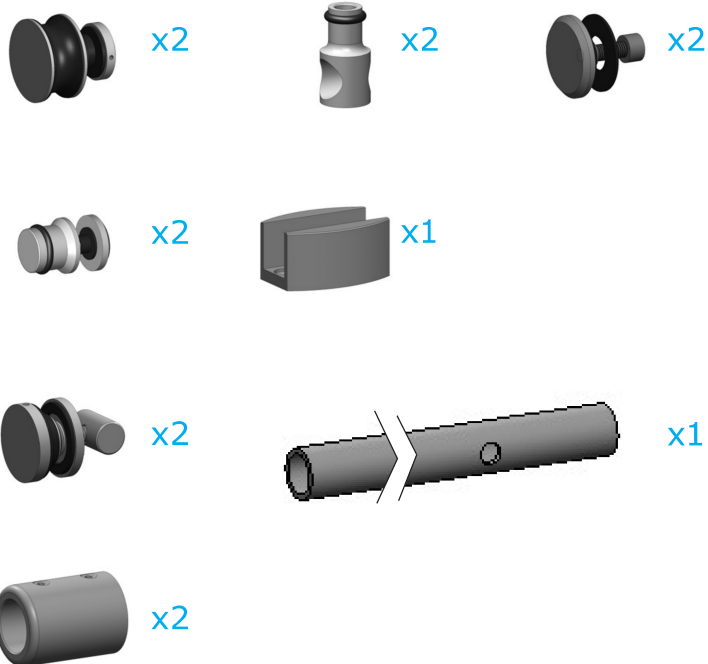
• Kit Hip-ZAC Clone system per box doccia da 1200 a 1800mm. Versioni possibili: Muro-Muro; Vetro-Vetro; Vetro-Muro. Sezione TONDA.

• Sistema Hip-zac Clone para box ducha 1200-1800mm. Versiones disponibles: muro-muro; vidrio-vidrio y vidrio-muro. Sección REDONDA.

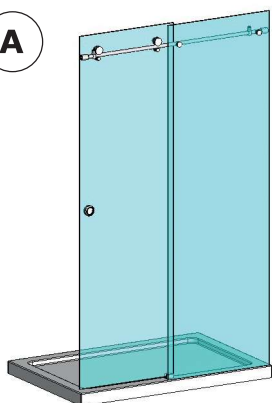
• Hip-zac Clone system for shower boxes 1200-1800mm. Available versions: wall-wall; glass-glass and glass-wall. ROUNDED section.

• Hip-zac Clone System für Duschen 1200-1800mm Möglich Ausführung: Wand-Wand, Glas-Glas, Glas-Wand. RUNDSCHNITT.

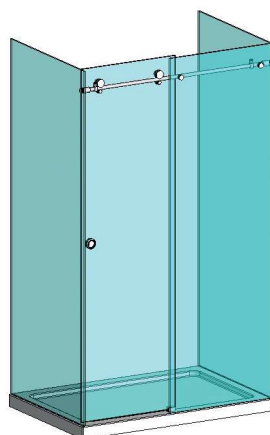
Compreso / Included



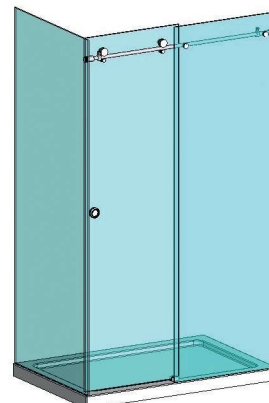
A



B

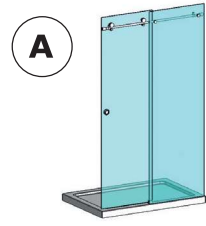


C

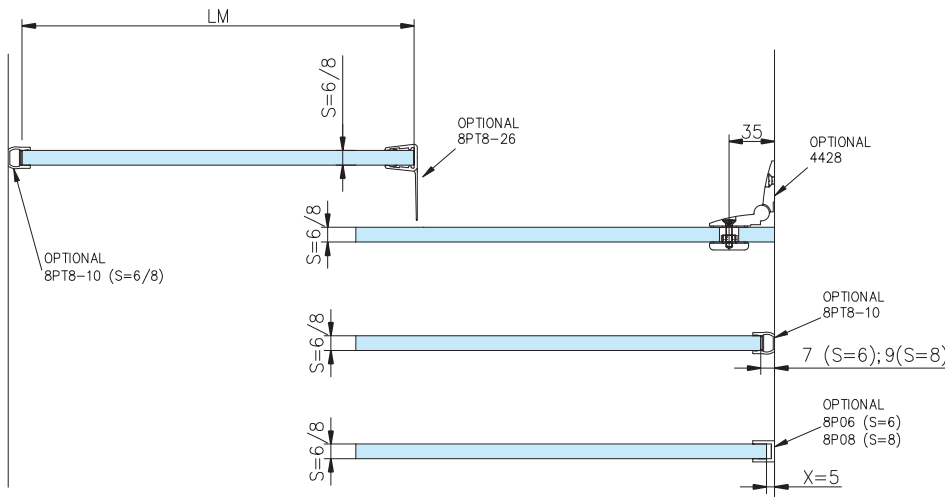
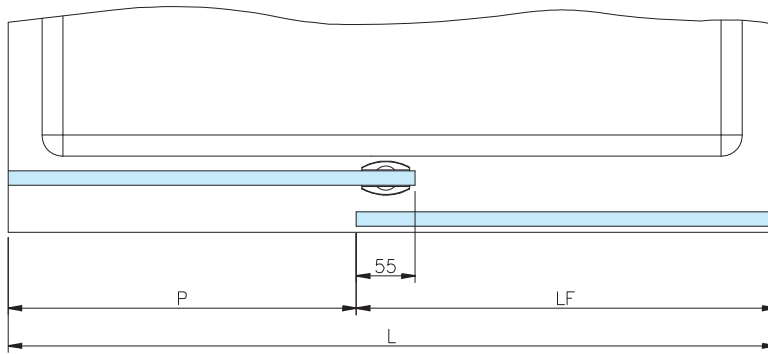
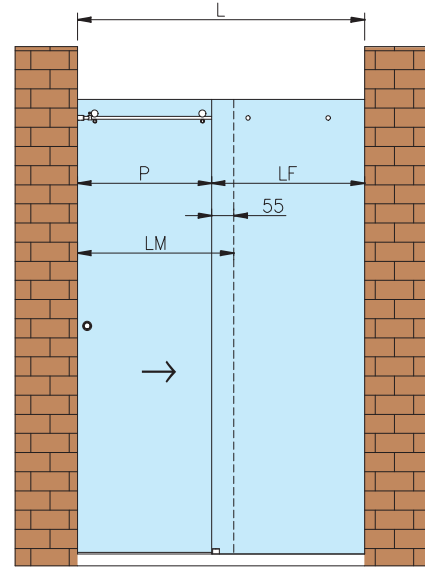
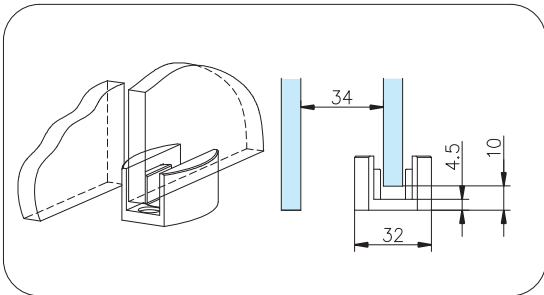
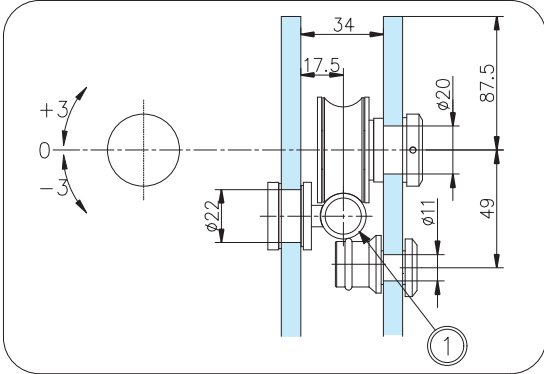


D10W60

DATI (Data)	$L = \text{min } 1200 \div \text{max } 1800$	(mm)
DEFINIRE (Define)	$P = \text{min } 450 \div \text{max } (L/2-55)$	(mm)
CALCOLARE (Calculate)	$LM = (P+55)$	(mm)
CALCOLARE (Calculate)	$LF = (L-P)$	(mm)

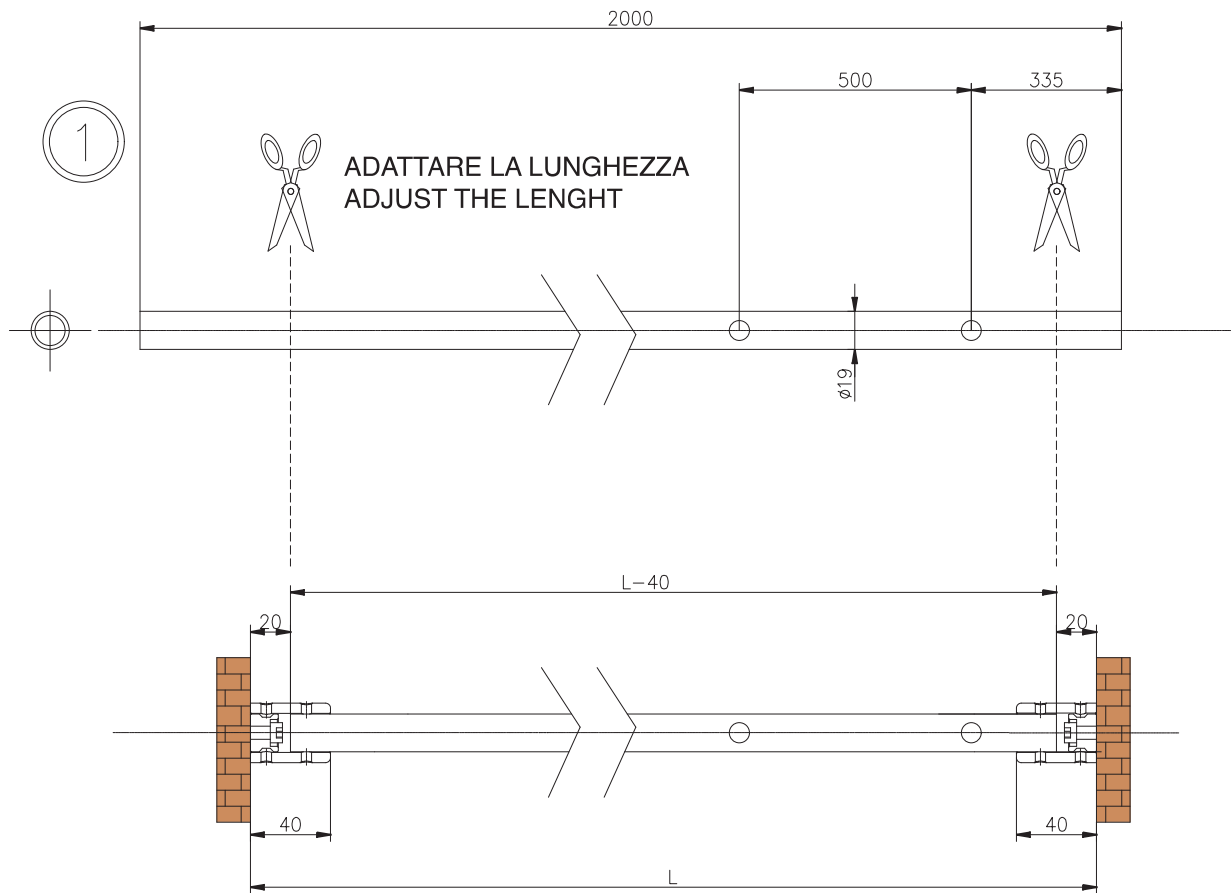
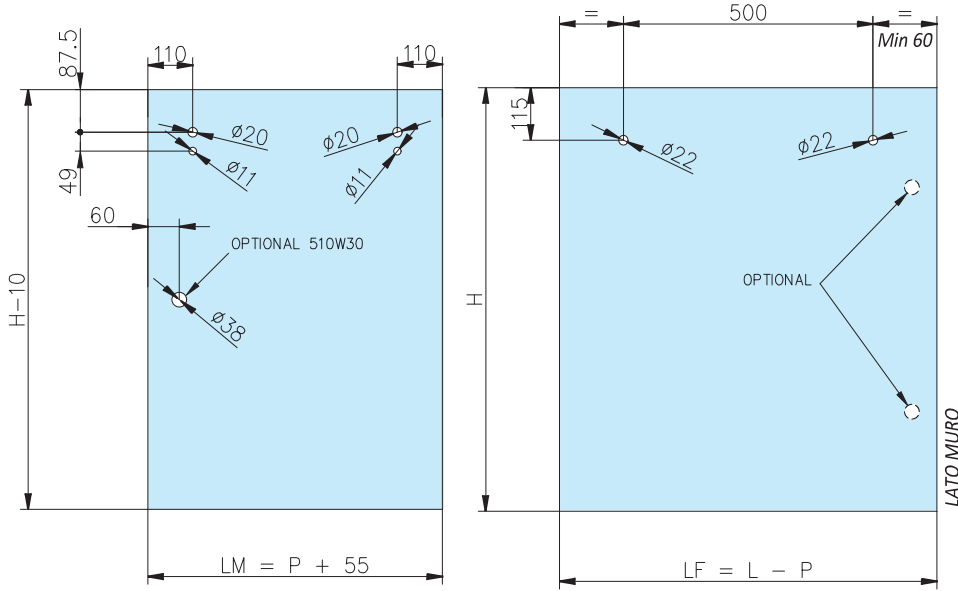
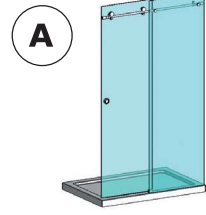


Hip-ZAC CLONE system



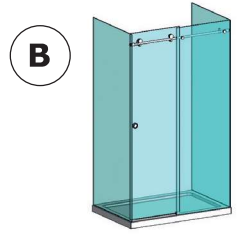
D10W60

Hip-ZAC CLONE system

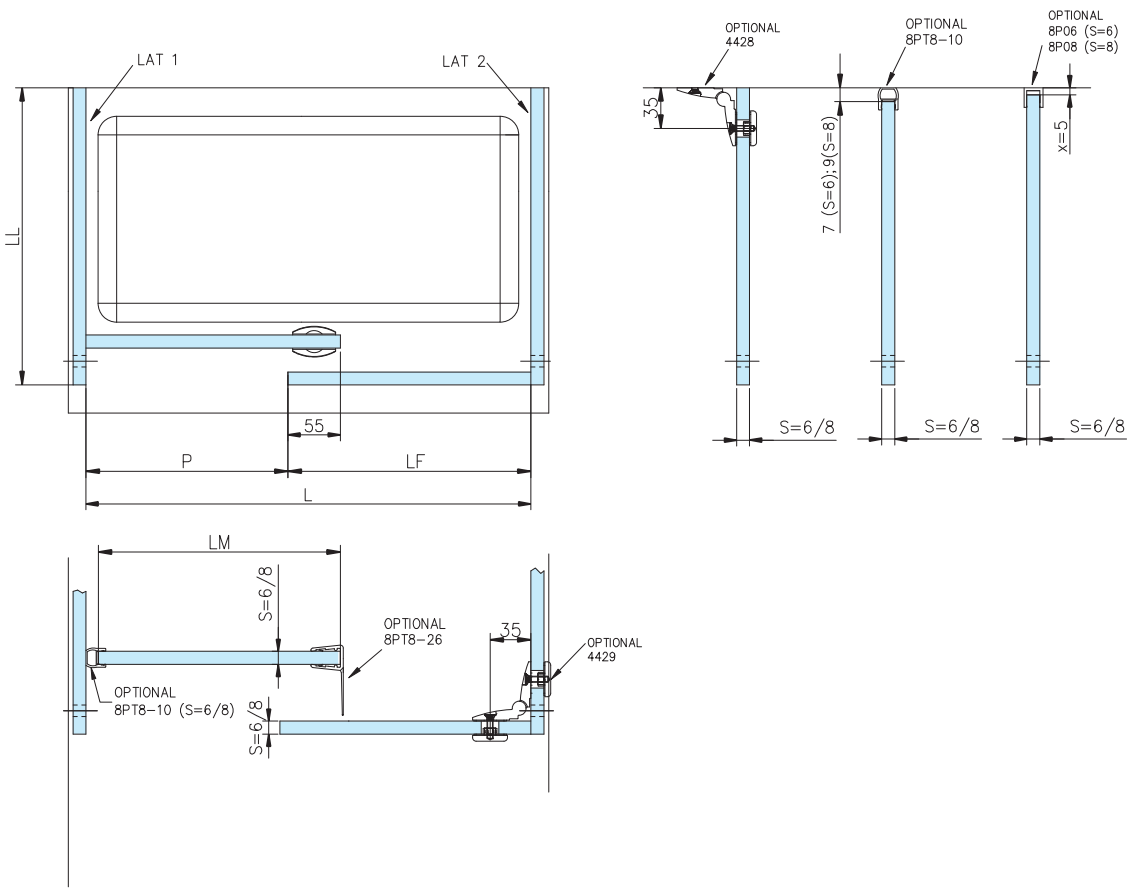
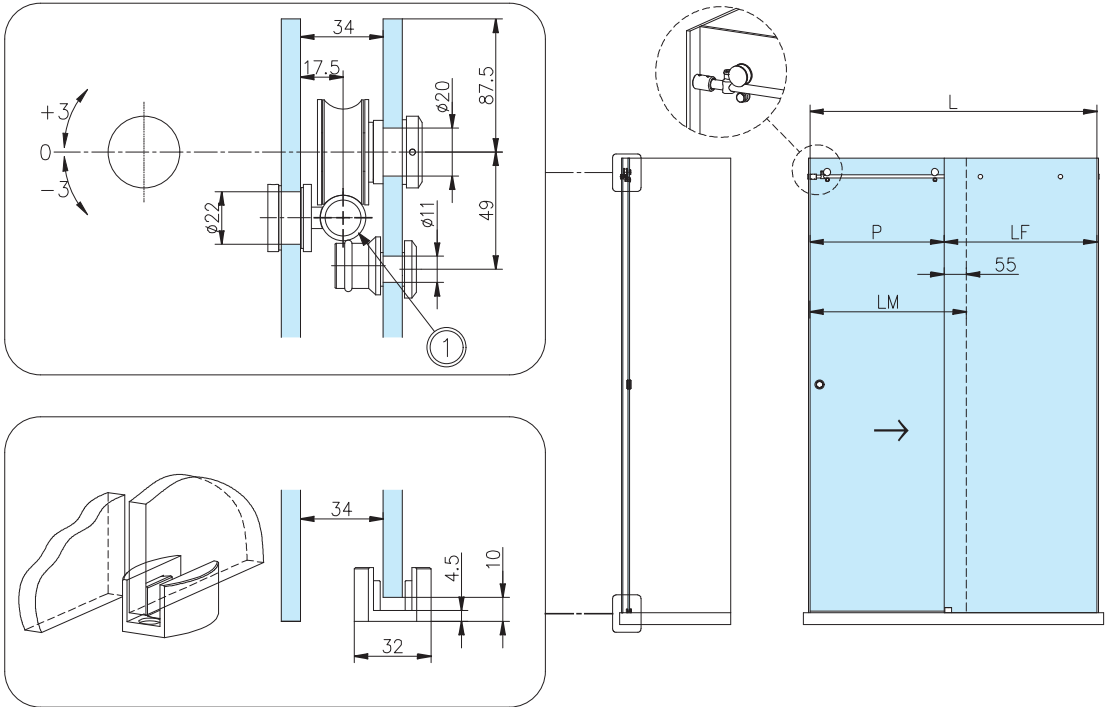


D10W60

DATI (Data)	$L = \text{min } 1200 \div \text{max } 1800$	(mm)
DEFINIRE (Define)	$P = \text{min } 450 \div \text{max } (L/2-55)$	(mm)
CALCOLARE (Calculate)	$LM = (P+55)$	(mm)
CALCOLARE (Calculate)	$LF = (L-P)$	(mm)

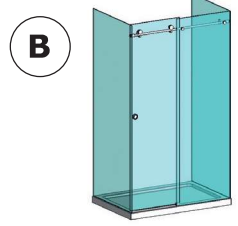


Hip-ZAC CLONE system

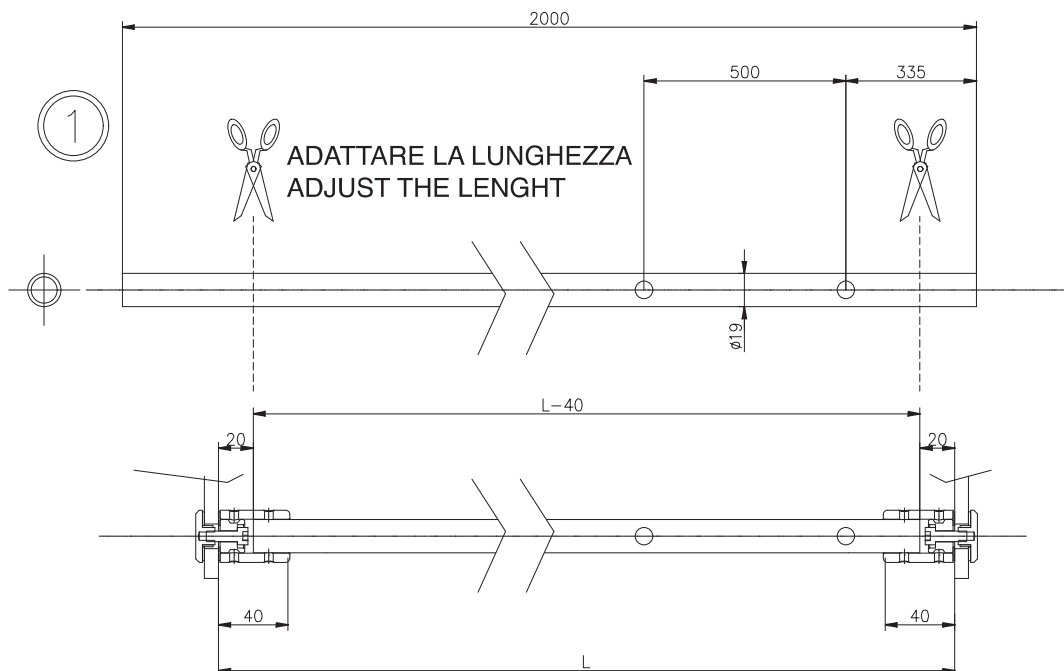
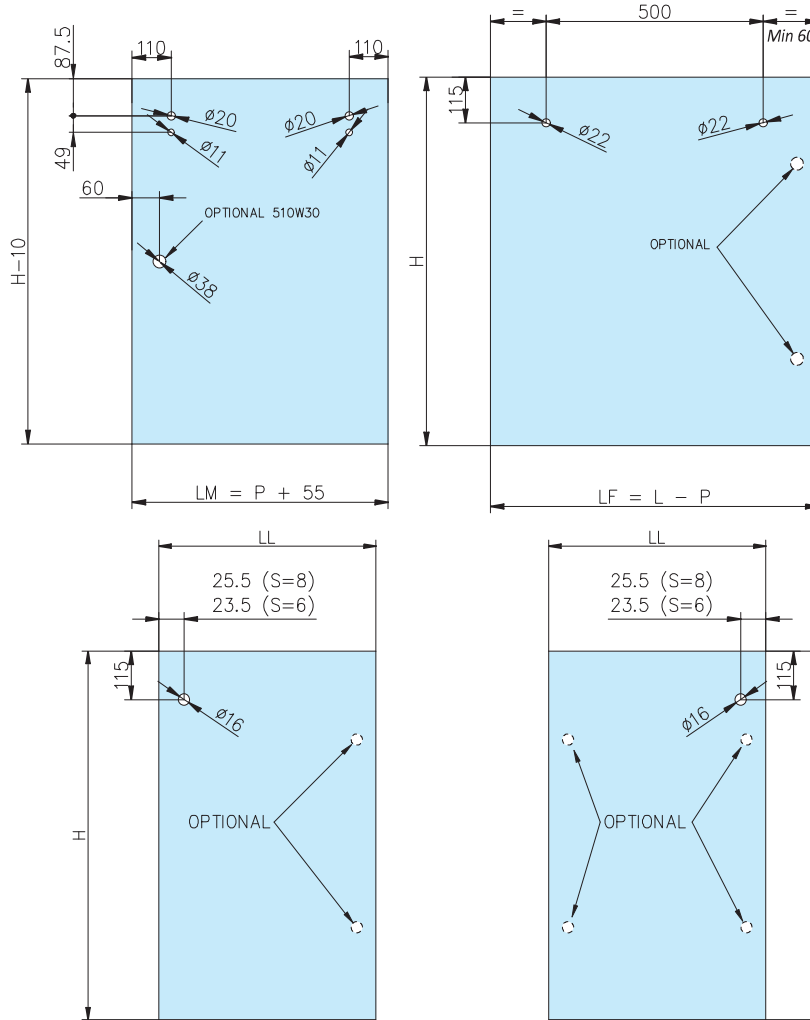


Sistemi - Sistemas - Systems - Systeme

D10W60



Hip-ZAC CLONE system



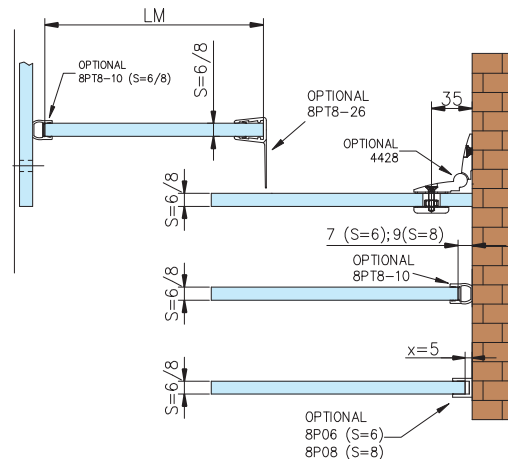
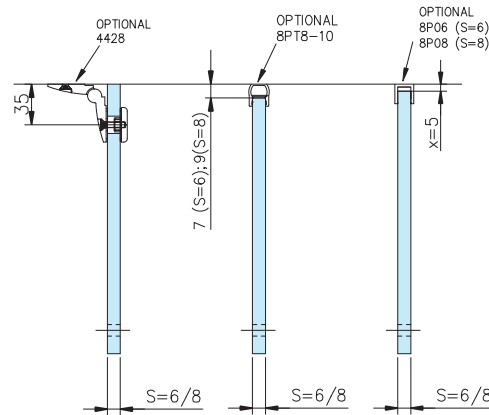
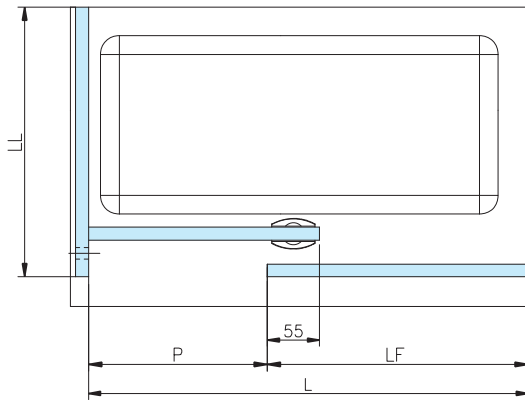
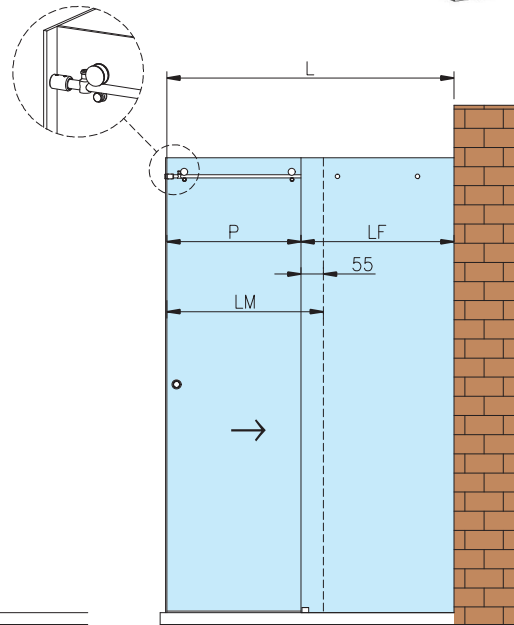
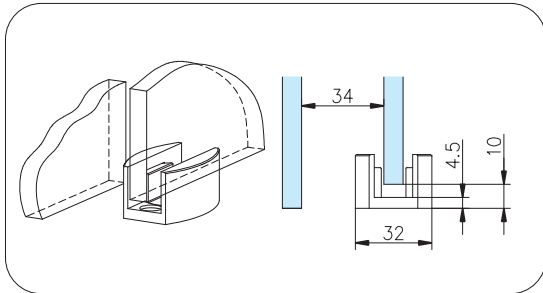
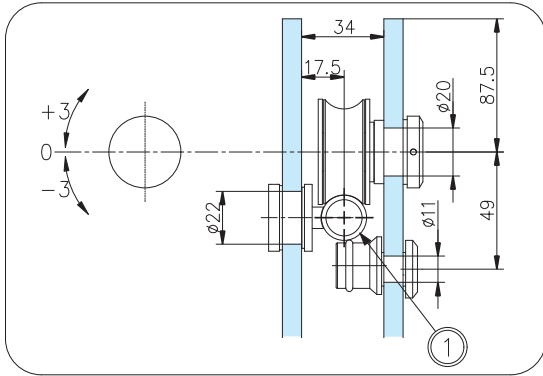
D10W60

DATI (Data)	$L = \text{min } 1200 \div \text{max } 1800$	(mm)
DEFINIRE (Define)	$P = \text{min } 450 \div \text{max } (L/2-55)$	(mm)
CALCOLARE (Calculate)	$LM = (P+55)$	(mm)
CALCOLARE (Calculate)	$LF = (L-P)$	(mm)

C



Hip-ZAC CLONE system



D10W60

C



Hip-ZAC CLONE system

